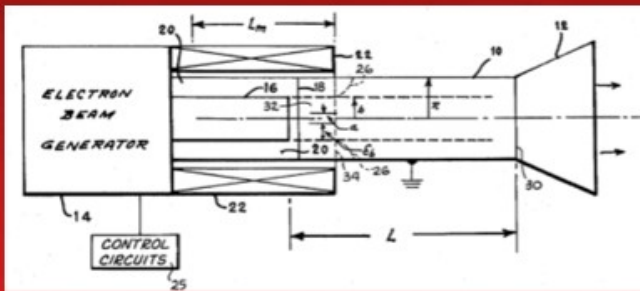


Scalar Weapons & Targeted Individuals

Scalar Weapons & Targeted Individuals



RICHARD LIGHTHOUSE



Richard Lighthouse

Scalar Weapons & Targeted Individuals

Published by Richard Lighthouse at smashwords.com

Creative Commons License 4.0; by Richard Lighthouse. Please acknowledge source.

ISBN: 9780463722947

www.smashwords.com/books/view/953946

Limit of Liability/Disclaimer of Warranty: This short ebook expresses the opinions of the author. All comments and statements in this ebook are opinions of the author. If you

disagree with these opinions, then write your own book. While the author has used his best efforts in preparing this document, he makes no representations or warranties with respect to the accuracy or completeness of the contents and specifically disclaims any implied warranties or fitness for any particular purpose. No warranty may be created or extended by sales representatives or sales materials. The author does not advocate violence in any form. All readers are encouraged to do their own research.



RLighthouse.com

Many of my books can be found for FREE at: Apple Books, Amazon.com, Lulu.com, Smashwords.com, BarnesandNoble, Google Play, kobo, and other websites.

Original 1A – 15 August 2019
August Full Moon
Houston, Texas, U.S.A.
Revision 1B – 15 August 2019

"Those who would give up essential Liberty, to purchase a little temporary Safety, deserve neither Liberty nor Safety." - Ben Franklin

Scalar Weapons & Targeted Individuals

TABLE OF CONTENTS

Chapter 1:

[Introduction](#)

Chapter 2:

[Conclusions](#)

Chapter 3:

[References](#)

Abstract

The CIA and FBI are involved in a microwave torture program against thousands of U.S. Citizens, called Targeted Individuals. There is a growing body of evidence that strongly suggests the TI community is not dealing with ordinary microwaves.

This short ebook focuses on the scalar technologies that are being used to remotely attack people all over the world.

Some of the main reasons, we can conclude that scalar wave weapons are being used:

- 1) Many technical engineers that are Targeted Individuals have tried to build a working Faraday cage to block the microwaves. The Vircator weapon shots are still penetrating the cage.
- 2) Targeted Individuals have documented the cell tower shots going thru many residential buildings to reach a target, sometimes up to 2 or 3 miles distance. This is not possible with ordinary microwaves at these frequencies. These are not ordinary microwaves.
- 3) Underground tunnels are being used as a weapons platform. To penetrate hundreds of feet of earth is impossible with ordinary microwaves.
- 4) The beam stays focused and does not disperse or spread out, over long distances. Typically, it is about ½ inch (1.25 cm) diameter. That is not an ordinary microwave, even though the frequencies have been measured repeatedly in the 3 to 4 GHz range.
- 5) Targeted Individuals have tried going underwater or inside deep tunnels, and have reported they do not escape the tracking and attacks. These is not ordinary microwaves.
- 6) According to the manual, "NATO HANDBOOK ON THE MEDICAL ASPECTS OF NBC DEFENSIVE OPERATIONS," during a nuclear weapon explosion, 2 feet of concrete or 4 feet of water will protect you from the xrays and gamma rays. These are the most powerful

energy waves known. A targeted friend of mine with V2K, went into a deep swimming pool at more than 8 feet underwater – and the V2K and microwave weapon attacks continued. Another targeted friend has been in a deep underground cave, where the V2K and attacks continued, in spite of the fact that Xrays and gamma rays are completely blocked. These cannot be ordinary microwaves.

7) While walking in my own backyard or almost anywhere close to downtown Houston, this author is being hit, on the bottom of my feet with microwave pulses. These are the typical ½ inch diameter, linear microwave beams. This evidence is consistent with the U.S. Air Force tunneling program in Colorado, which has apparently been extended to other cities. This evidence is also indicative of scalar weapons, because no high-energy frequency could penetrate that distance of solid earth.

Diagrams and pictures are provided.

We can deduce that the Vircator satellite weapons emit scalar waves at certain frequencies (3920 – 3935 MHz), and these electromagnetic waves penetrate very far into the earth and into water. They can also penetrate Faraday cages. We can deduce that the cell tower antennas are using digital beam forming to create scalar waves. These are military weapons that are being used against Targeted Individuals. These attacks are a felony crime in the United States, and an act of Treason by the Air Force officers involved.

Introduction

There is a growing body of evidence that strongly suggest the TI community is not dealing with ordinary microwaves. The Vircator weapon attacks from satellites and cell towers, are able to penetrate many structures, including steel frame buildings and residential houses. Many cases of the cell tower attacks have been documented traveling through dozens of residential structures to hit the target. This evidence suggests a scalar waveform is being used.

To understand how the scalar wave is able to penetrate 30 feet of concrete or steel, we must first remind ourselves about the structure of an atom. In a volumetric basis, the common atom is 99.999% empty space. A one-dimensional longitudinal waveform or scalar wave, is unlikely to hit anything as it passes through a structure. Even when a TI is hit with these attacks - the waveform continues through your body. Please keep in mind that TargetedJustice.com has already affirmed that everyone in the United States is being tracked with these microwave pulses.

An ordinary Faraday cage is not able to contain or capture the waveform, however, a faraday cage that is modified to use a randomly-altering A/C current energy of 5 - 50 joules, might be able to ground out the weapon attacks. Caution is urged for those that are unfamiliar with high voltage electrical circuits.

Scalar waves, sometimes referred to as Tesla Waves, are capable of penetrating any solid

object including Faraday Cages. A transmitter can be placed in a box of thick metal and a receiver outside of the box will still receive the scalar wave. Some scalar waves are capable of passing through the earth from one side to another with no loss of field strength, as Tesla supposedly showed in one of his experiments.

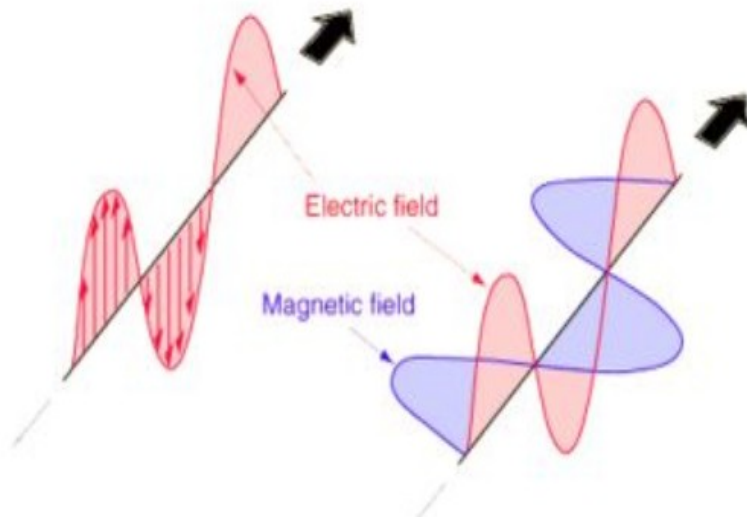


Figure 1. Ordinary microwaves, like the ones in your microwave oven, exit from a waveguide that direct where they go. But the microwaves immediately start to spread out, once they are in free space. Their vibration is like a sine wave. They cannot travel long distances and remain in a compact beam. However, the scalar wave weapons experienced by Targeted Individuals are called beam weapons.

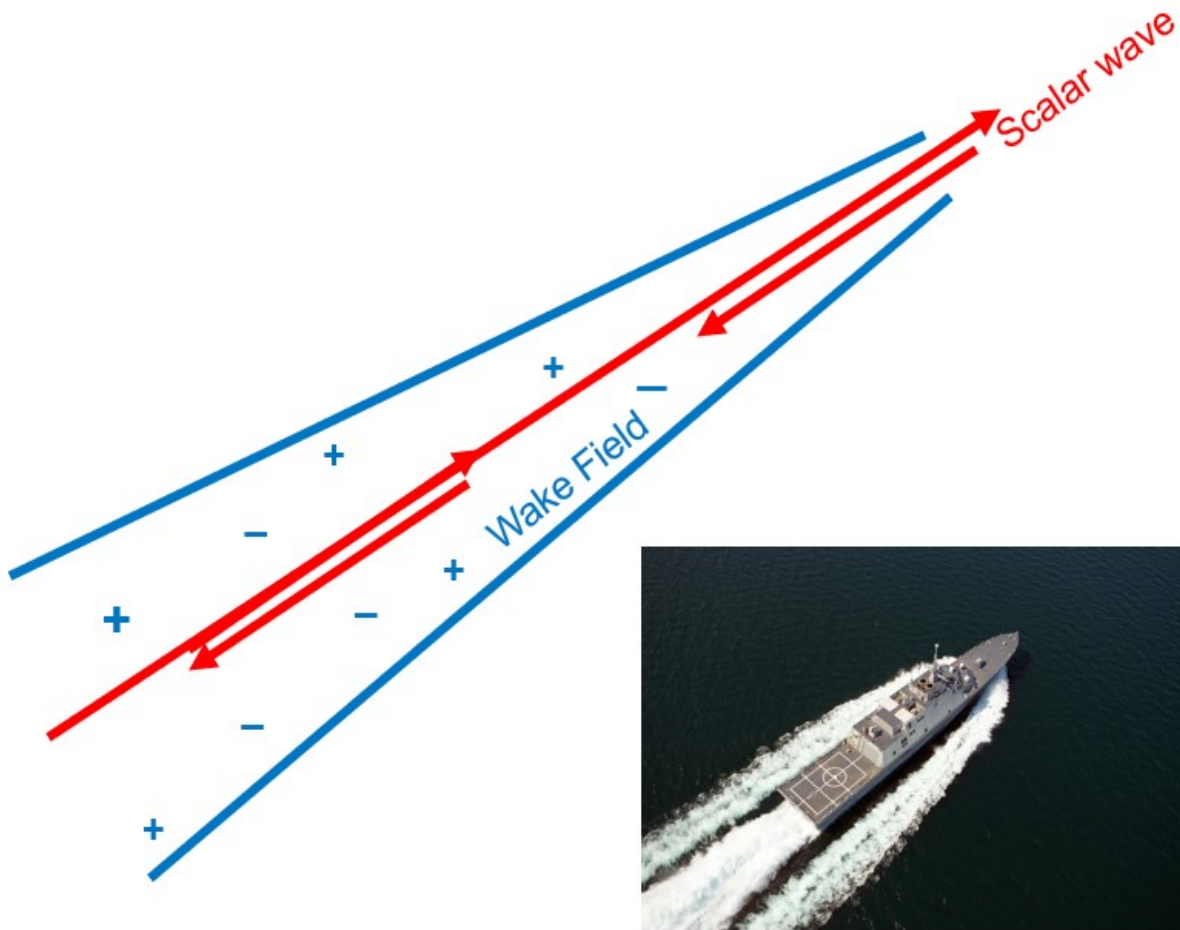


Figure 2. Scalar waves are not particles. They are electromagnetic energy that travel in longitudinal waves. This means that the vibration is in the direction of motion. It creates a wake field similar to a ship. The wake field – is made of ionized particles that have positive and negative charges. Note that some of the wake field can probably be blocked by a Faraday cage or water pillows, but the scalar wave will pass through.

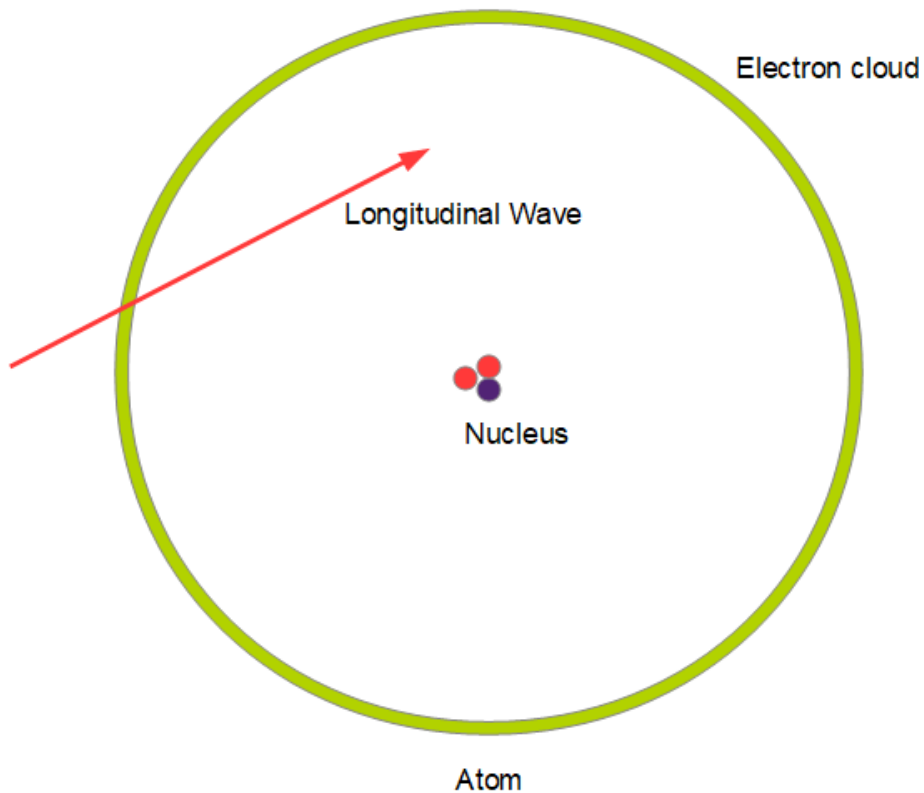


Figure 3. How does a scalar wave penetrate through buildings and houses? A scalar wave is incredibly small in its cross-section. Theoretically, it is a one-dimensional line, and the line has no measurable thickness. This means it can travel through many atoms and never hit anything.

This is how we explain a Scalar-Longitudinal wave: At the atomic level, remember that an atom is made up of empty space. In fact, most atoms that we have on earth are 99.999% empty space. A scalar wave will pass through most of these atoms and never hit anything.

Keep in mind that GPS Satellite tracking affects 100% of the population, and cell tower subliminal messaging affects 100% of the population. These are microwave scalar weapons set to the lowest intensity, that can penetrate buildings and homes.

The microwave attacks on Targeted Individuals come from 5 main sources. For Targeted Individuals, if you are experiencing painful microwave attacks, they come from:

- 1) Cell tower weapon attacks – about 80% of the time
- 2) Satellite weapon attacks - about 10% of the time
- 3) Smart meter - about 5% of the time
- 4) Drones - about 4% of the time
- 5) Portable devices - less than 1% of the time

The reason that cell towers are used so often – is because this is the least expensive method

to attack large numbers of people.

In general, we can say that, if the signal is coming from directly overhead, it is probably a satellite. Such targeting is very expensive to operate the satellites. Tracking is generally done by satellites and the precise coordinates are relayed to Schriever Air Force Base. Lockheed Martin makes the GPS Block 3 satellites in Littleton, Colorado.

If a signal is coming at a person horizontally, it is likely coming from a cell tower, not your neighbors house. That is part of the “setup.” Do not fall for your neighbors being involved. Most of the time, it is a cell tower, and you can look these up on a map. The focused beam signal from a cell tower at 100,000 watts can easily go thru many houses, before it gets to you. Digital Beam-forming can also be used to target many people from a single antenna. With the new 5G technology, it is possible to hit thousands of people each second from a single antenna. This is the real reason that the Deep State wants the 5G technology. Subliminal messaging can also be directed at many people from one antenna.

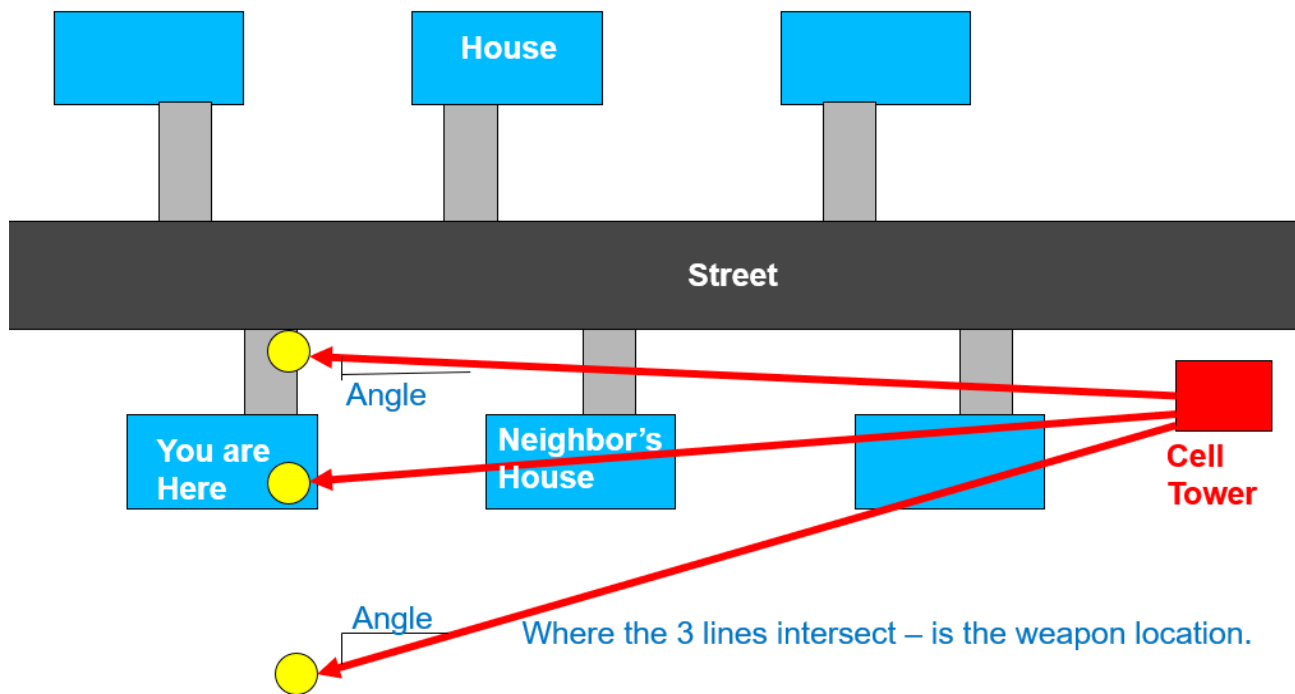


Figure 4. Triangulation to determine the source. You can feel the direction with your hand. It is not your neighbor's house – that is the “setup.” The scalar waves produced by digital beam forming at the cell tower, can travel through many houses and buildings.

If you have a horizontal signal, try to triangulate to determine its source. This means going to opposite ends of your property and getting the direct line of the signal. If you have done this accurately, the lines will intersect at the source. Draw an accurate map using google maps,

and mark the lines. Don't assume it is your neighbor – that is what the government criminals want.

Scalar waves are not a well-understood physical phenomena. A recent search of Arxiv.org shows 393 university technical papers involving scalar waves. These technical papers date back to 1992, as the earliest in their records. Many university professors are confident that scalar waves exist, and are trying to provide a theoretical basis for analysis.



Figure 5. Arxiv.org – search for “scalar waves”

Here is the patent for the Vircator microwave weapon. We now have compelling evidence that the weapon produces scalar waves at certain frequencies. The frequency range where scalar waves are produced, are probably dependent on the inside dimensions of the Vircator, and the gaps that are used for the cathode/anode.

[54] **HIGH POWER MICROWAVE GENERATOR USING RELATIVISTIC ELECTRON BEAM IN WAVEGUIDE DRIFT TUBE**

[75] Inventor: Donald J. Sullivan, Albuquerque, N. Mex.

[73] Assignee: The United States of America as represented by the Secretary of the Air Force, Washington, D.C.

[21] Appl. No.: 120,809

[22] Filed: Feb. 12, 1980

[51] Int. Cl.³ H03B 9/01

[52] U.S. Cl. 331/79; 331/90; 315/39

[58] Field of Search 331/79, 86, 90, 82; 315/39, 39.51, 39.53, 39.55, 39.61, 3.5, 5, 5.33, 5.53, 5.54

[56] **References Cited**

U.S. PATENT DOCUMENTS

3,700,952 10/1972 Nation 315/3.5
4,122,372 10/1978 Walsh 331/79 X

OTHER PUBLICATIONS

Mahaffey et al., "High-Power Microwaves from a

Nonisochronic Reflecting Electron System", Physical Review Letters, vol. 39, Sep. 26, 1977, pp. 843-846.

Sullivan et al., "Simulation of Time Dependent Virtual Cathode Motion", Bulletin of American Physical Society, vol. 23, Sep. 1978, p. 764.

Sullivan, "Autoacceleration Via Virtual Cathode Oscillation", U.S. Air Force Report AFWL-DYP-TN-7-9-103, Mar. 9, 1979.

Primary Examiner—Siegfried H. Grimm

Attorney, Agent, or Firm—Donald J. Singer; William Stephanishen

[57] **ABSTRACT**

Coherent microwave radiation is generated in and transmitted through a waveguide/drift tube by means of an injected relativistic electron beam the parameters of which, in combination with the waveguide/drift tube geometry and dimensions effect a virtual cathode oscillation condition within the waveguide/drift tube. Tuning of the device is accomplished by manipulation of the relativistic electron beam parameters and/or waveguide/drift tube physical dimensions.

1 Claim, 1 Drawing Figure

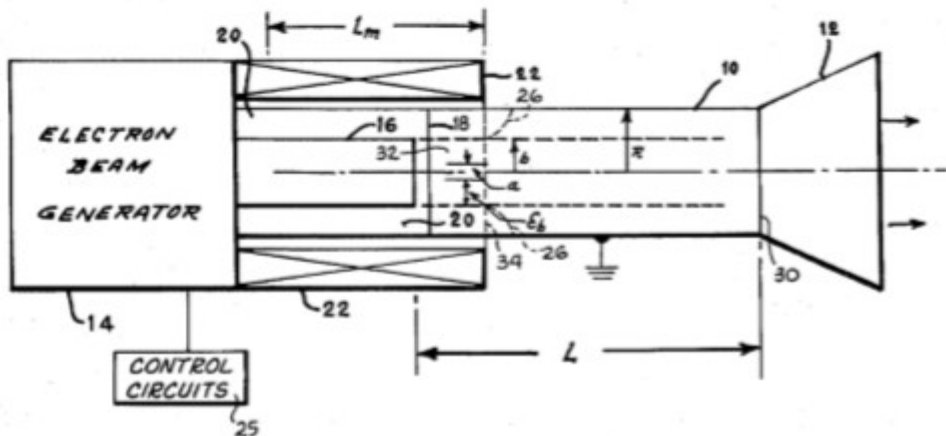


Figure 6. Patent 4345220. Vircator.

The math for true scalar waves is quite simple, because there is no transverse component for the wave. It travels at the speed of light, and its group velocity and phase velocity are always the same.

Scalar wave equation:

$$\frac{\partial^2 u}{\partial t^2} = c^2 \frac{\partial^2 u}{\partial x^2}$$

The wave is defined by pulsation ω , wavelength λ , wavenumber k and frequency f and period T . We have the following relations

$$k = \frac{2\pi}{\lambda} = \frac{2\pi}{cT} = \frac{2\pi f}{c} = \frac{\omega}{c}$$

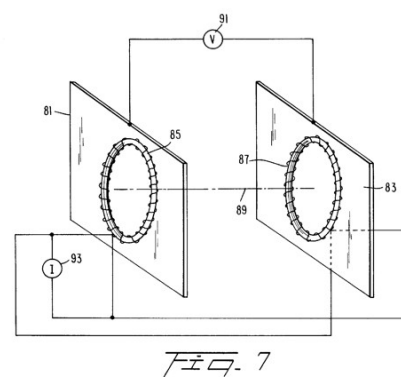
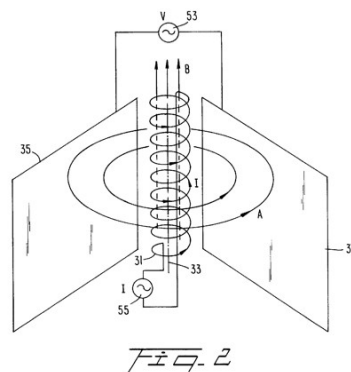
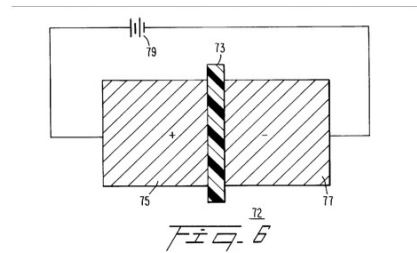
Figure 7. Simple math for scalar waves.

There are a number of patents that relate to scalar waves, including one by Dr Harold Putoff.

US5845220

Communication method and apparatus with signals comprising scalar and vector potentials without electromagnetic fields

Inventor(s): PUTHOFF HAROLD



Information that changes as a function of time is communicated from a transmitting site to a receiving site by transmitting a signal comprising scalar and vector potentials without including any electromagnetic field. The potentials vary information.

Figure 8. US Patent 5845220, Dr Harold Putoff

Three cell tower maps:

AntennaSearch.com

CellReception.com/towers

OpenSignal.com

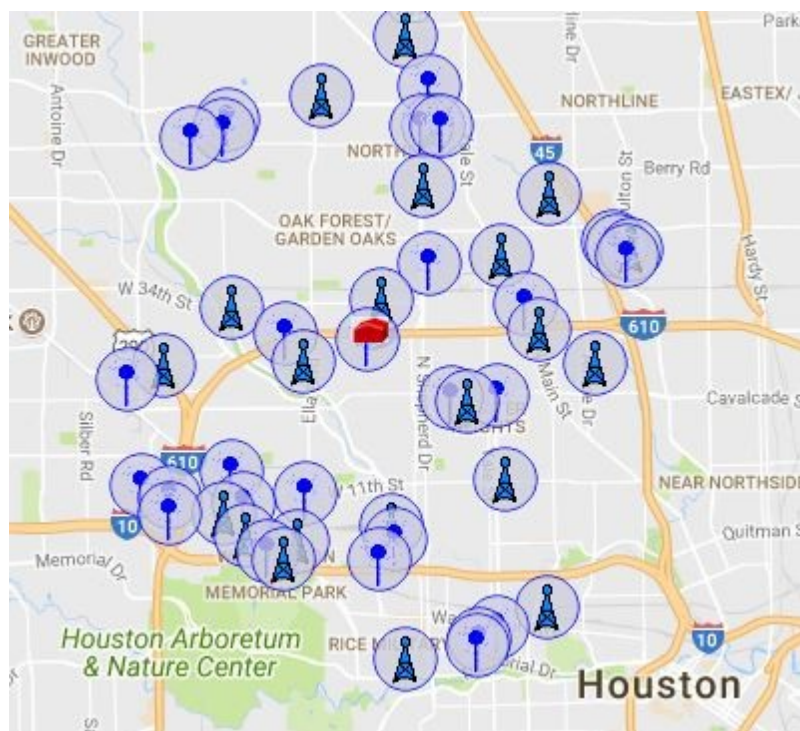


Figure 9. Typical Cell Tower location map (AntennaSearch.com).

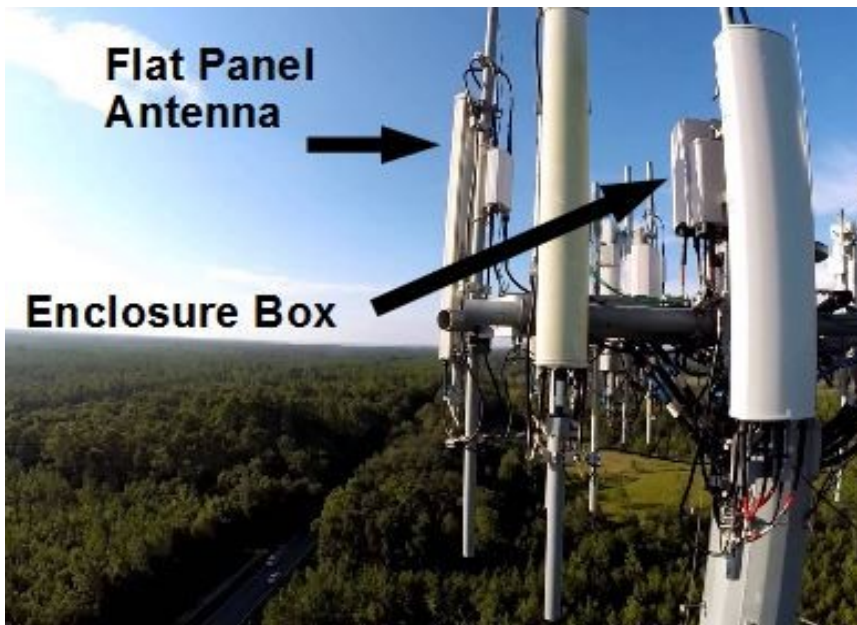


Figure 10. The flat panel antenna is used for cell phone signals. These antennas can also be used with “Digital Beam-forming.”



Figure 11. U.S. Air Force tunneling machine, 1982, Nevada. Some of the newer tunneling machines can dig underground through 7 miles in one day. Dr Bill Deagle, MD has been quoted as stating that the underground bases are, at least, $\frac{1}{4}$ of a mile underground. The author's experience concludes that the tunneling program has been extended to other cities in the United States.

Google maps is a good resource for identifying some of these towers. You can also use the history timeline to see the same location from a few years ago, and note which equipment has been added recently.

Electricity Usage

These microwave components use a lot of electricity. They are usually operated in pulse mode, and use about 100 amps and about 20,000 volts per pulse. Those electrical spikes would look like this on a chart:

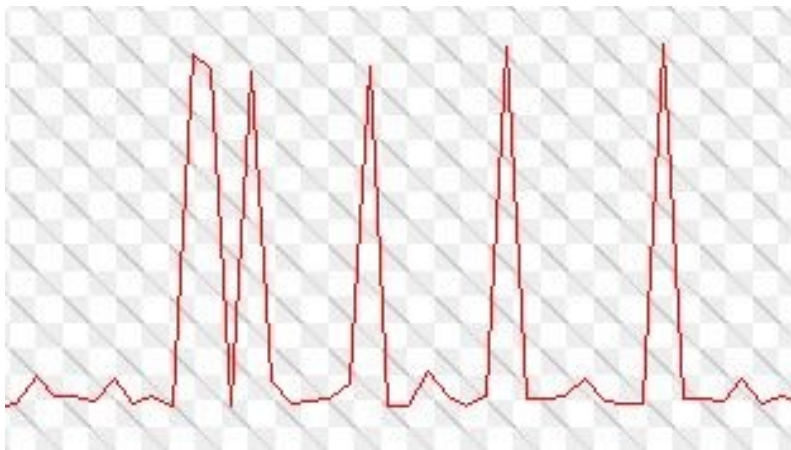


Figure 12. These weapons use a lot of electricity. When operated in pulse mode, it causes large spikes in the electrical usage. Anyone looking at the electrical use for a cell tower would notice this. A clear sign that a weapon is being used on the cell tower.

Anyone that looks at the smart meter or electric power usage for the tower, will see something obvious - cell phone antennas do not usually have power spikes like this. Moreover, the electric bill is ridiculously large for a tower. Ten thousand dollars per month or more.

With the use of Digital Beam-forming, the numbers change dramatically. Using 5G technology, the Deep State can target and attack thousands of people using a single antenna. Some of the 5G technology companies are Ericsson, Qualcomm, Nokia, NEC, and Fujitsu, to

name a few.

Conclusions

This short ebook presents some of the technology that is being used against Targeted Individuals from cell towers. The Vircator satellite weapons produced scalar waves in a narrow frequency range. It is possible that any Vircator design will produce scalar waves – the frequency range is dependent on the inside dimensions of the chamber.

The information provided here, is a starting point for other researchers to continue the effort. I do not pretend that it is comprehensive, as this technology has been developed over decades. Most of the subliminal messaging and V2K comes from cell towers, in my opinion.

We can conclude that some of the wake field can probably be blocked by a Faraday cage or water pillows, because the ions carried in the wake field are vibrating like ordinary microwaves. This would explain why water pillows and faraday cages are modestly helpful, but do not fully block the microwave weapon attacks.

This document is a living document. The author reserves the right to make corrections and changes.

References

1. TargetedJustice.com
2. RLighthouse.com
3. Richard Lighthouse, "Satellites and Weapons of the Air Force Space Command," 2018, smashwords.com and RLighthouse.com.
4. "NATO HANDBOOK ON THE MEDICAL ASPECTS OF NBC DEFENSIVE OPERATIONS;" AmedP-6(B), PART I – NUCLEAR. 1987.
5. Rockwell, III, Theodore. "Reactor Shielding Design Manual." United States: N. p., 1956. Web. doi:10.2172/4360248.

References that show the precision in pointing and tracking with GPS – down to one centimeter:

6. Bisnath, S., and Y. Gao, "Innovation: Precise Point Positioning," *GPS World*, April 2009
7. Booth, J., and R. Snow, "Help from Above, Flight Testing Two Alternatives to Ground-

Based DGPS," *Inside GNSS*, pp. 26-35, September 2010

8. Cai, C., and Y. Gao, "Precise Point Positioning Using Combined GPS and GLONASS Observations," Department of Geomatics Engineering, University of Calgary, Alberta, Canada, *Journal of Global Positioning Systems*, Vol.6, No.1: 13-22, 2007.

Technical References on Scalar Waves:

9. "Flux-normalised versus field-normalised decomposition of the scalar wave equation;" Dr Kees Wapenaar, Department of Geoscience and Engineering, Delft University of Technology, 2600 GA Delft, The Netherlands; 2019.

10. "A new perspective on the Ermakov-Pinney and scalar wave equations;" Giampiero Esposito ORCID: 0000-0001-5930-8366; Istituto Nazionale di Fisica Nucleare, Sezione di Napoli, Complesso Universitario di Monte S. Angelo, Via Cintia Edificio 6, 80126 Napoli, Italy; Marica Minucci, Dipartimento di Fisica "Ettore Pancini," Università Federico II, Complesso Universitario di Monte S. Angelo, Via Cintia Edificio 6, 80126 Napoli, Italy; 2019.

11. "GLOBAL EXISTENCE FOR SYSTEMS OF QUASILINEAR WAVE EQUATIONS IN(1 + 4)-DIMENSIONS" Dr Jason Metcalfe and Dr Katrina Morgan; Department of Mathematics, University of North Carolina, Chapel Hill.

12. "WAVE ASYMPTOTICS AT A COSMOLOGICAL TIME-SINGULARITY:CLASSICAL AND QUANTUM SCALAR FIELDS," Alain Bachelot Université de Bordeaux, Institut de Mathématiques, UMR CNRS 5251, F-33405 Talence Cedex.

13. "Exact gravitational plane waves and two-dimensional gravity;" Jorge G. Russo *Institutio Catalana de Recerca i Estudis Avançats; Lluís Companys, 23, 08010 Barcelona, Spain. Department de Física Cuàntica Astrofísica and Institut de Ciències del Cosmos, Universitat de Barcelona, Martí Franques, Barcelona, Spain.

14. "D=3: Singularities in gravitational scattering of scalar waves;" C. Klimcik, Nuclear Centre, Charles University, Prague, Czechoslovakia and, P. Kolnik, Department of Theoretical Physics, Charles University, Prague, 1992.

15. "Spectral methods for the wave equation in second-order form," Taylor, Nicholas W. and Kidder, Lawrence E. and Teukolsky, Saul A. (2010) Caltech; *Physical Review D*, 82 (2). Art. No. 024037 . ISSN 1550-7998.

16. "Transmission Through a Scalar Wave Three-Dimensional Electromagnetic Metamaterial and the Implication for Polarization Control," Jonghwa Shin, Jung-Tsung Shen, and Shanhui Fan, Department of Physics, Korea Advanced Institute of Science and Technology, Daejeon 305-701, Korea, Ginzton Lab and Department of Electrical Engineering, Stanford University, Stanford, California.

About: The author holds a Master of Science (M.Sc.) degree in Mechanical Engineering from Stanford University and has previously worked for NASA.

Contact:
Rlighthouse -at -- protonmail.com

Funding:
This research was generously supported with a grant from the Foundation Opposed to Academic Puffery (FOAP).

APPENDIX

I am a proud whistleblower – see my ebooks about the criminal acts of the CIA and FBI. Readers are advised that the NSA and/or CIA may be blocking or restricting access to some of my ebooks, especially outside the United States. Readers are further advised that digital tracking tags may have been placed in my ebooks. It may be best to download from Apple Books, if possible. Note how slowly the jpg's load into the ebook when viewing, or there may be transparent objects placed inside the document (This is the government criminal's latest ploy). The content of some ebooks may have been altered – still trying to monitor this. If you have tried to contact me, it is possible that emails and phone calls are being blocked.

Readers are advised to review the website drjudywood.com which provides compelling evidence about 9-11. drjudywood.com/articles/DEW/StarWarsBeam4.html Note Figure 63. Dr Wood spent many years researching this and filed suit against the US Government, along with Dr Morgan Reynolds. Jet fuel does not burn through concrete and steel. The cookie-cutter holes were made by a high-powered laser that rapidly ages material - and turned the concrete and steel into dust in seconds. Note Figure 38(a) here: drjudywood.com/articles/DEW/StarWarsBeam3.html ...Watch the steel beams turn into dust while standing vertically. This laser operates at a harmonic of the blinking frequency - which causes rapid aging. Readers are also advised to see the movie "Sirius" by Dr Steven Greer, M.D. It is available for free on Netflix, where it is the #1 documentary, and to watch the youtube videos by the Honorable Paul Hellyer, former Canadian Minister of Defense. He has a book titled, "The Money Mafia."

Also, find my brief educational videos on youtube (Some have been blocked from the search engines).

For more than 7 years, this author has been stalked, harassed, and threatened by US Government agents from the CIA, FBI, and NSA - because of the content of these ebooks. My home has been broken into, repeatedly. In May 2014, my girlfriend was drugged and kidnapped from LaGuardia airport. She was unconscious more than 4 hours. This is not a joke. My computer, phone, and alarm system have been hacked, including those of my friends and family. It is truly sad and pathetic, these agencies have become criminal organizations. If something happens to me (disappearance, false criminal charges, sudden

accident, etc. - my readers can be certain that the FBI and CIA were involved. See my related ebooks identifying the murders of Gary Webb, Michael Hastings, Phil Schneider, William Colby, Dr Eugene Mallove, Stan Meyers, and others. In my opinion, the CIA, and the Council on Foreign Relations (CFR) are behind these criminal acts; David Rockefeller was the CEO and Chairman for many years.

“The CIA and FBI are behind most, if not all terrorism.”
- Ted Gunderson, former FBI Chief

For future reference, I would never deliberately do something to harm or hurt myself. This goes against my beliefs and against the teachings of Seth. This needs to be stated because the CIA and FBI have proven many times, they are willing to use “staged suicides” to solve their “problems”. Phil Schneider went public with his information on Secret Military Construction projects, after 8 of his co-workers were murdered during staged suicides. Then he was murdered. His videos are on youtube and other websites.

The screenshot shows the Smashwords dashboard interface. At the top, there is a navigation bar with links for Site Updates, Profile, Publish, Library, Dashboard, Account, Podcast, and FAQ. A search bar is located on the right side of the dashboard. The main content area displays a congratulatory message for the user's ISBN assignment. The message includes the following information:

ISBN: 9780463722947
Title: Scalar Weapons & Targeted Individuals
Author: Richard Lighthouse
Publisher: Smashwords, Inc.

Figure 13. ISBN for this ebook.