



PROFESSIONAL



VERITEK™ PRO



Since 1964, Swan has been a leader in creating innovative and affordable Solid Surfacing products. Swan produces American-made, high-performing surfacing solutions for the bath and kitchen. Customers trust our products for superior impact strength, heat resistance, and durability. Whatever your preference in style, color, budget, or materials, you'll find that Swan has the combination of products, experience, and support you need to make your project an overwhelming success. **Total Solutions. That's our commitment. That's our promise.**

TABLE OF CONTENTS

INTRODUCTION TO THE PROFESSIONAL COLLECTION	4
INTRODUCTION TO VERITEK™ PRO	7
VERITEK™ PRO BATH PRODUCTS	
TUB SHOWERS.....	9
SHOWERS	12
SHOWER PANS	13
TUBS.....	14
INDIVIDUAL COMPONENT PIECES	17
VERITEK™ PRO COLOR CHART	18
VERITEK™ PRO WARRANTY INFORMATION	19



Pictured: VPF6030CTS2 Tub Shower
Europa Vanity Top



Pictured: VP603OCTSR Tub Shower, Vessel Sink

THE PROFESSIONAL COLLECTION

The Professional Collection offers tried and true project solutions that have been used and trusted by contractors for decades. With Veritek™ and Veritek™ Pro, the Professional Collection pulls from a catalog of reliable products and materials, and will ensure your next project is on time and on budget.



VERSATILE SOLUTIONS

The one-stop, complete value solution of quality, high volume products for any job consisting of shower and tub walls, shower pans, and utility products.



EASY INSTALLATION

Featherweight, multipiece construction makes it quick and easy for one person to install.



READILY AVAILABLE

Proudly made in America, Swan offers consistent and industry-leading reliable lead times to the plumbing market so that any project can be completed on time.

PROFESSIONAL



Veritek™ Pro

Dedicated to delivering

Better Product

Better Material

Better Packaging

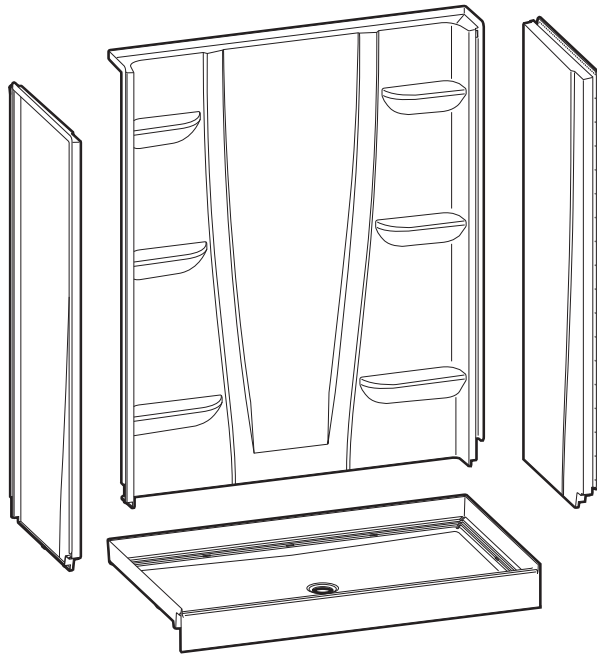
Pictured: VP6030CTSR Tub Shower

Veritek™ Pro

TOUGH, STRONG, AND DURABLE, VERITEK™ PRO IS THE ULTIMATE SOLUTION FOR ANY BATHROOM PROJECT!

American-made and truly innovative, VERITEK™ PRO is here to make every project easier. With lightweight sections that effortlessly snap together, installation is quick and easy, even when it's a tight squeeze.

At Swan, we are dedicated to BUILDING BETTER SURFACES so you can rest easy knowing you've installed a high-quality, reliable product in your bathroom.

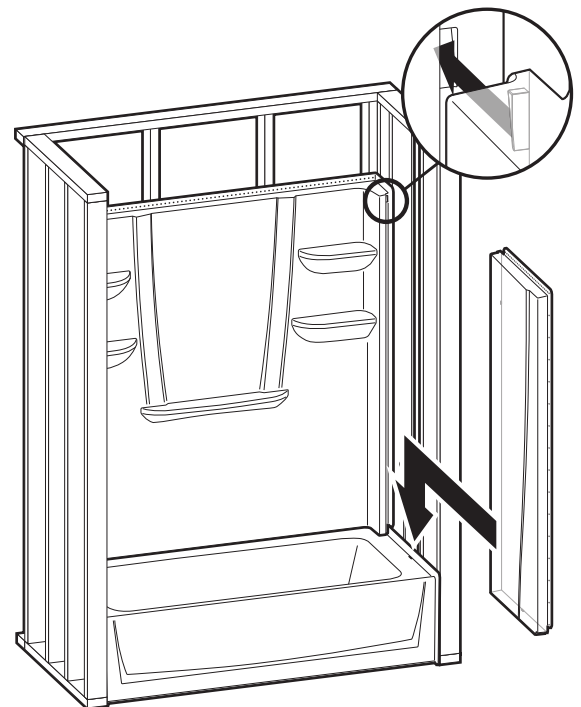


THE VERITEK™ PRO DIFFERENCE

- Integrated shelves in different configurations
- Lightweight, durable construction
- Simple tongue & groove connections
- Pre-leveled base
- Installs directly to stud

VERITEK™ PRO - THE ULTIMATE SOLUTION

- Save time and money with an easy, four-piece shower or tub shower installation.
- Designed for a seamless, water-tight fit.
- Available in multiple sizes and configurations. It's easy to find the perfect solution with the Veritek™ Pro line of bases, walls, and tubs.
- Component pieces are available to order individually. Please contact Swan Customer Care or your Sales Representative to learn more.





Pictured: VP6030CTS Tub Shower

VERITEK™ PRO BATH PRODUCTS

TUB SHOWERS



Pictured: VP6030CTSMINR Tub Shower

Standard Dimensions	AFR Dimensions	Standard	Aging In Place (AIP)	Above Floor Rough (AFR)	AFR & AIP
TUB SHOWER - SMIN TUB					
30 x 60 x 76	30 x 60 x 79	VP6030CTSMINL/R	VP6030CTSMINAL/R	VP6030CTSMML/R	VP6030CTSMMAL/R
32 x 60 x 79	32 x 60 x 82	VP6032CTSMINL/R	VP6032CTSMINAL/R	VP6032CTSMML/R	VP6032CTSMMAL/R
TUB SHOWER - CLASSIC TUB					
30 x 60 x 76	30 x 60 x 79	VP6030CTSL/R	VP6030CTSAL/R	VP6030CTSML/R	VP6030CTSMAL/R
36 x 60 x 79	36 x 60 x 82	VP6036CTSL/R	VP6036CTSAL/R	VP6036CTSML/R	VP6036CTSMAL/R
42 x 60 x 79	42 x 60 x 82	VP6042CTSL/R	VP6042CTSAL/R	VP6042CTSML/R	VP6042CTSMAL/R



FEATURES AND BENEFITS

- Five (5) Shelves create ample space for bathing products
- Four (4) Piece Sectional includes: one (1) tub, two (2) side walls, and one (1) back wall
- Interlocking pieces for a caulkless and seamless fit

VERITEK™ PRO BATH PRODUCTS

TUB SHOWERS



Pictured: VP6030CTS2R Tub Shower

Standard Dimensions	AFR Dimensions	Standard	Aging In Place (AIP)	Above Floor Rough (AFR)	AFR & AIP
TUB SHOWER - SMIN TUB					
30 x 60 x 76	30 x 60 x 79	VP6030CTSMIN2L/R	VP6030CTSMN2AL/R	VP6030CTSM2L/R	VP6030CTSM2AL/R
32 x 60 x 79	32 x 60 x 82	VP6032CTSMIN2L/R	VP6032CTSMN2AL/R	VP6032CTSM2L/R	VP6032CTSM2AL/R
TUB SHOWER - CLASSIC TUB					
30 x 60 x 76	30 x 60 x 79	VP6030CTS2L/R	VP6030CTS2AL/R	VP6030CTSM2L/R	VP6030CTSM2AL/R
36 x 60 x 79	36 x 60 x 82	VP6036CTS2L/R	VP6036CTS2AL/R	VP6036CTSM2L/R	VP6036CTSM2AL/R
42 x 60 x 79	42 x 60 x 82	VP6042CTS2L/R	VP6042CTS2AL/R	VP6042CTSM2L/R	VP6042CTSM2AL/R

FEATURES AND BENEFITS



- Four (4) Shelves on the back wall create a balanced and sophisticated design
- Four (4) Piece Sectional includes: one (1) tub, two (2) side walls, and one (1) back wall
- Interlocking pieces for a caulkless and seamless fit

VERITEK™ PRO BATH PRODUCTS

ACCESSIBLE TUB SHOWERS



Pictured: VPF6030CTS2R Tub Shower

Standard Dimensions	AFR Dimensions	Standard	Aging In Place (AIP)	Above Floor Rough (AFR)	AFR & AIP
CODE COMPLIANT TUB SHOWER - SMIN TUB					
31 1/4 x 60 x 77 3/8		VPF6030CTSMN2L/R			
33 1/4 x 60 x 80 3/8		VPF6032CTSMN2L/R			
CODE COMPLIANT TUB SHOWER - CLASSIC TUB					
30 x 60 x 77		VPF6030CTS2L/R			



FEATURES AND BENEFITS

- Optional removable seat
- ADA/FHA code compliant*
- Factory installed grab bars
- 24" bars on each side wall
- 36" bars on back wall

*Veritek showers and tub showers are built to ADA/FHA standards and fully code-compliant when customized with the required accessories, and installed per ADA/FHA guidelines.

VERITEK™ PRO BATH PRODUCTS

SHOWER KITS



Pictured: VP6030CSR Shower

Dimensions	Standard Shower Kits Center Drain	Standard Shower Kits Left/Right Drain	Aging In Place Shower Kits
32 x 32 x 76	VP3232CS		VP3232CSA
36 x 36 x 76	VP3636CS		VP3636CSA
34 x 48 x 76	VP4834CS		VP4834CSA
30 x 60 x 76		VP6030CSL/R	VP6030CSAL/R
34 x 60 x 76	VP6034CS		VP6034CSA



FEATURES AND BENEFITS

- Leak-proof right angle joint flanges
- Pre-leveled shower base
- Smooth walls and integrated shelving
- All shower kits are four (4) pieces and include two (2) side walls, one (1) back wall and one (1) shower pan

VERITEK™ PRO BATH PRODUCTS

SHOWER PANS



Pictured: VP3636CPANNS Shower Pan

Model	Dimensions (Inches)	Drain
VP3232CPANNS	32 x 32 x 6	Center
VP3636CPANNS	36 x 36 x 6	Center
VP4242CPANNS	42 x 42 x 6	Center
VP4834CPANNS	48 x 34 x 6	Center
VP6030CPANNS	60 x 30 x 6	Left/Right
VP6034CPANNS	60 x 34 x 6	Center

FEATURES AND BENEFITS



- Pre-leveled base
- Designed for tile wall applications
- Slip resistant, textured bottom
- Extended tiling flange
- Corner drainage channels

VERITEK™ PRO BATH PRODUCTS

TUBS



Pictured: VP6032CTMIN Tub, Contour Vanity Top

Model	Dimensions (Inches)	Type
VP6030CTMIN	60 x 30 x 15	Standard
VP6030CTMM	60 x 30 x 18	Above Floor Rought (AFR)
VP6032CTMIN	60 x 32 x 18	Standard
VP6032CTMM	60 x 32 x 21	Above Floor Rought (AFR)

FEATURES AND BENEFITS

- Modern, minimalist design
- Pre-leveled base
- Slip resistant, textured bottom
- Available in left and right-hand drain
- Coordinating wall kits available



VERITEK™ PRO BATH PRODUCTS

TUBS



Model	Dimensions (Inches)	Type
VP6030CT	60 x 30 x 15	Standard
VP6030CTM	60 x 30 x 18	Above Floor Rough (AFR)
VP6036CT	60 x 36 x 18	Standard
VP6036CTM	60 x 36 x 21	Above Floor Rough (AFR)
VP6042CT	60 x 42 x 18	Standard
VP6042CTM	60 x 42 x 21	Above Floor Rough (AFR)

FEATURES AND BENEFITS



- Classic design aesthetic
- Pre-veled base
- Slip resistant, textured bottom
- Available in left and right-hand drain
- Coordinating wall kits available



Pictured: VP6034CS Shower

VERITEK™ PRO BATH PRODUCTS

INDIVIDUAL COMPONENT PIECES

Model	Description	Dimensions (W x H x D Inches)	Fits
VP3232CPAN	Slotted pan, center drain, designed to fit coordinating wall set	32 x 32 x 6	VP3274CBW, VP2374CSW
VP3636CPAN	Slotted pan, center drain, designed to fit coordinating wall set	36 x 36 x 6	VP3674CBW, VP2774CSW
VP4242CPAN	Slotted pan, center drain	42 x 42 x 6	
VP4834CPAN	Slotted pan, center drain, designed to fit coordinating wall set	48 x 34 x 6	VP4874CBW, VP2774CSW
VP6030CPANL/R	Slotted pan, left or right drain, designed to fit coordinating wall set	60 x 30 x 6	VP6074CBW, VP2374CSW
VP6034CPAN	Slotted pan, center drain, designed to fit coordinating wall set	60 x 34 x 6	VP6074CBW, VP2774CSW
VP6062CBW	5 Shelf tub back wall	60 x 7 15/16 x 62 7/8	VP6030CT, VP6030CTM, VP6030CTMIN, VP6030CTMN, VP6032CTMIN, VP6032CTMM, VP6036CT, VP6036CTM, VP6042CT, VP6042CTM
VP6062CBW2	4 Shelf tub back wall	60 x 7 15/16 x 62 7/8	VP6030CT, VP6030CTM, VP6030CTMIN, VP6030CTMN, VP6032CTMIN, VP6032CTMM, VP6036CT, VP6036CTM, VP6042CT, VP6042CTM
VP6074CBW	6 Shelf shower back wall	60 x 7 15/16 x 74 1/2	VP6030CPANL/R, VP6034CPAN
VP3274CBW	6 Shelf shower back wall	32 x 9 15/16 x 74 5/8	VP3232CPAN
VP3674CBW	6 Shelf shower back wall	36 x 9 15/16 x 74 5/8	VP3636CPAN
VP4874CBW	6 Shelf shower back wall	48 x 8 x 74 1/2	VP4834CPAN
VP2374CSW	Shower Side wall	25 x 2 1/4 x 74 3/8	VP3232CPAN, VP6030CPANL/R
VP3562CSW	Tub Side wall	36 7/8 x 2 3/8 x 62 3/4	VP6042CT, VP6042CTM
VP2962CSW	Tub Side wall	30 7/8 x 2 3/8 x 62 3/4	VP6036CT, VP6036CTM
VP2562CSW	Tub Side wall	27 1/8 x 2 x 62 3/4	VP6032CTMIN, VP6032CTMM
VP2462CSW	Tub Side wall	24 7/8 x 2 3/8 x 62 3/4	VP6030CT, VP6030CTM, VP6030CTMIN, VP6030CTMM
VP2774CSW	Shower Side wall	28 3/4 x 2 1/4 x 74 1/2	VP3636CPAN, VP4834CPAN, VP6034CPAN

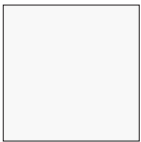
Veritek™ Pro individual component pieces are designed to be sold with coordinating Veritek™ Pro models and will not fit other products. For more information, please contact Swan Customer Care.

VERITEK™ PRO

COLOR CHART

Veritek™ Pro Product	White (010)	Flock (033)
Tub Showers	X	
Showers	X	
Pans	X	
Tubs	X	

VERITEK™ PRO COLORS



White
(010)



Pictured: VP6030CPANR Shower Pan

LIMITED WARRANTY



Limited Warranty For Residential Applications

If a Swan product covered by this warranty is found to be defective in materials or workmanship, after inspection by an authorized Swan representative, we will repair, or at our option, exchange the product for a similar model. This warranty extends for a designated period of time, so long as it remains in use in its original place of installation.

This warranty covers only products installed in accordance with Swan's installation instructions, used as recommended, and not damaged due to misuse, abuse or improper installation. Gloss reduction and scratching of the finish over time due to use, cleaning practices or water or atmospheric conditions are not manufacturing defects but are indicative of normal wear and tear. It does not apply to any seams or changes made to the product by professional tradesmen or fabricators.

The warranty applies only to the original purchaser and installation of these products in residential applications. It does not apply to commercial applications.

Swan's option to repair or exchange products under this warranty does not cover any labor or other costs of removal or installations, nor shall Swan be responsible for any other incidental or consequential damages attributable to a product defect or to the repair or exchange of a defective product.

15-Year Limited Warranty

VERITEK™ PRO TUBS
VERITEK™ PRO TUB SHOWERS
VERITEK™ PRO SHOWER PANS
VERITEK™ PRO SHOWERS

Limited Warranty For Commercial Applications

If a Swanstone product covered by this warranty is found to be defective in materials or workmanship, after inspection by an authorized Swan representative, we will repair, or at our option, exchange the product for a similar model. This warranty extends for a designated period of time, so long as it remains in use in its original place of installation.

This warranty covers only products installed in accordance with Swan's installation instructions, used as recommended, and not damaged due to misuse, abuse or improper installation. Gloss reduction and scratching of the finish over time due to use, cleaning practices or water or atmospheric conditions are not manufacturing defects but are indicative of normal wear and tear. It does not apply to any seams or changes made to the product by professional tradesmen or fabricators.

The warranty applies only to the original purchaser and installation of these products in commercial applications. Swan's option to repair or exchange products under this warranty does not cover any labor or other costs of removal or installations, nor shall Swan be responsible for any other incidental or consequential damages attributable to a product defect or to the repair or exchange of a defective product.

3-Year Limited Warranty

VERITEK™ PRO TUBS
VERITEK™ PRO TUB SHOWERS
VERITEK™ PRO SHOWER PANS
VERITEK™ PRO SHOWERS



Building Better Surfaces | swanstone.com